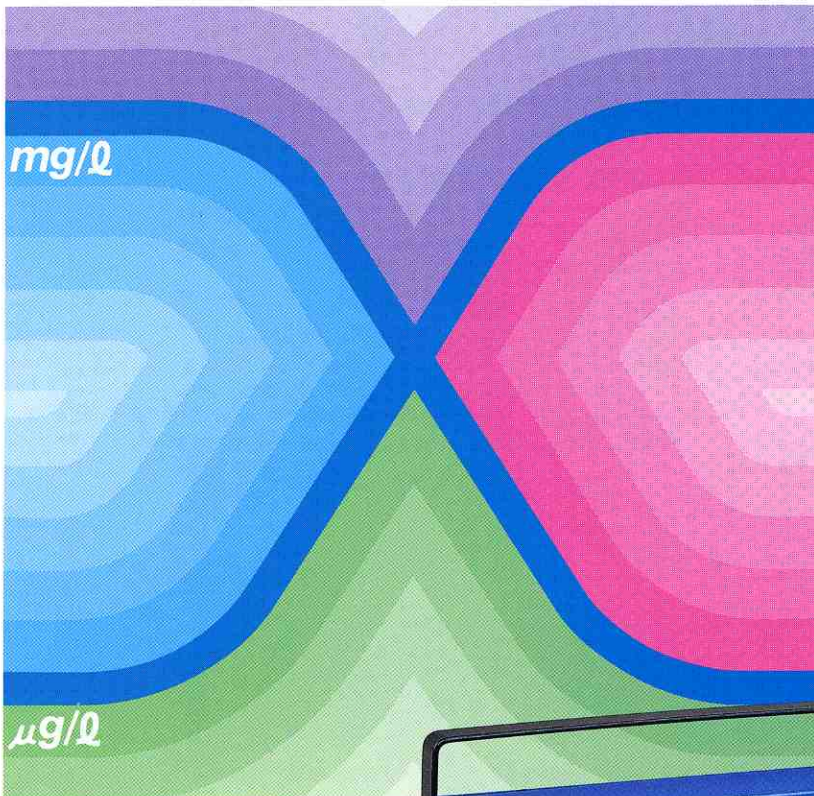


TOA

DO-32A PORTABLE LOW DENSITY DISSOLVED OXYGEN METER

$\mu\text{g}/\text{L}$ (ppb) range of sample can be accurately measured with high response

Automatic selection of measuring range facilitates monitoring and continuous measurement



With this DO-32A, trace volume of dissolved oxygen contained in supplying water for electric power generating station, atomic power generating station, test facility for metal corrosion, production facility for semi-conductor, can be measured in high response and in high accuracy.

Automatic DO range selection and temperature measurement enable measurement and monitoring through output function on recording equipment for sudden variation of dissolved oxygen volume and for continuous measurement for long period over daytime and nighttime.

The DO-32A is surely paving way to new era for controlling of water quality with its superior performance.



TOA Electronics Ltd.

DO-32A LOW DENSITY DISSOLVED OXYGEN METER

FEATURES

Wide dynamic Automatic Range Selection

It covers wide range from 0 to 20 μ g/l to 0 to 20mg/l in the measuring range. In addition with this wide measuring range, full automatic range selection function is available. Automatic temperature compensation function enables to measure from ultra low density level such as μ g/l (ppb) range to air saturated high range with accurate performance.

High response & Long Life Span

Newly developed membrane type polarographic electrode is adopted for using electrode. Therefore, long life span and high response are realized. As two types of electrode are prepared; normal type and atomic power station use type. DO-32A can meet to various requirements.

Easy Calibration

Span calibration can be done by air and also it is possible to make zero check calibration by electric zero (panel zero check) other than conventional calibration by zero check solution.

Temperature Measuring Function

Temperature along with dissolved oxygen value can be displayed simultaneously and these data can be output from meter to analog recorder for monitoring.

Compact Design & Easy Maintenance

The supplied flow cell is designed as compact type and it is easy for the maintenance and the operation. Drip proof construction is adopted to the main unit, thus it will be durable against water splashing if it is placed at sampling rack.

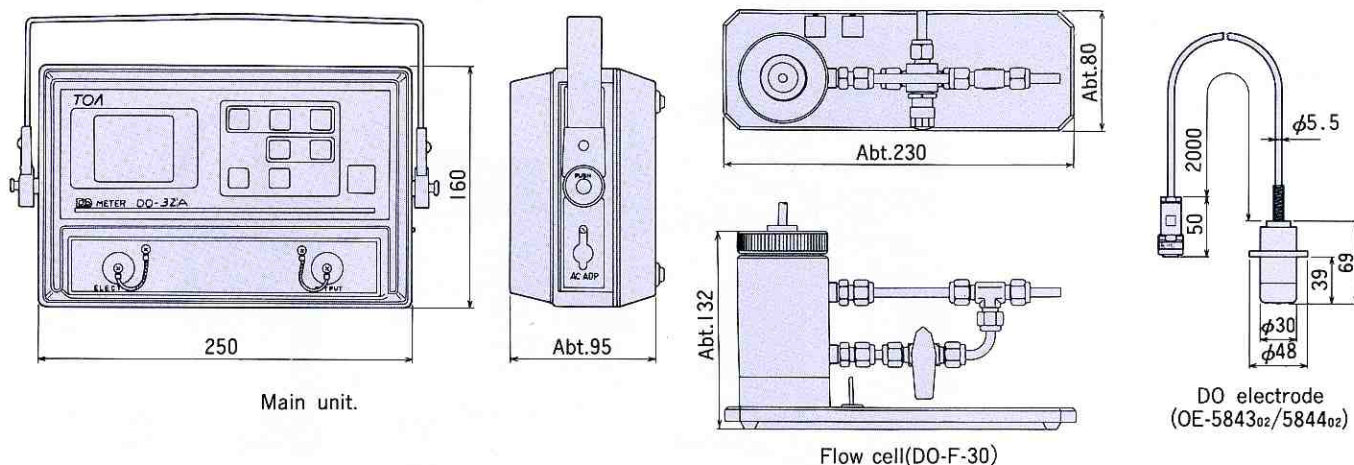
Two Power Sources

DC power source is available other than AC line. Consequently it can be used for the field work where AC power source is not available. 400 hours of continuous measurement can be achieved when alkali dry cells are loaded.

Analog Record Output Terminal

When analog recorder is connected to the output terminal, variation of dissolved oxygen and temperature can be monitored at chart paper of recorder continuously.

EXTERNAL DIMENSION (unit:mm)



Main unit.

Flow cell(DO-F-30)

DO electrode (OE-5843oz/5844oz)

SPECIFICATIONS

Measuring method	Membrane type polarographic method
Display	LCD
Measuring range	Dissolved oxygen 0 to 19.99 μ g/l (ppb), 0 to 199.9 μ g/l (ppb) 0 to 1.999mg/l (ppm), 0 to 19.99mg/l (ppm). Temperature 0 to 45°C
Range changing over	Automatic/Manual selection
Repeatability(main unit)	Dissolved oxygen $\pm 0.1\mu$ g/l (at 0 to 19.99 μ g/l range) $\pm 0.3\mu$ g/l (at 0 to 199.9 μ g/l range) ± 0.03 mg/l (at 0 to 1.999mg/l range) ± 0.003 mg/l (at 0 to 19.99mg/l range) Temperature : $\pm 0.1^\circ\text{C}$ (Accuracy : $\pm 0.5^\circ\text{C}$)
Temp. compensation range	0 to 45°C (Automatic Temp. Compensation)
Output	Dissolved oxygen : 0 to 1V(0 to F.S. at each range) Temperature : 0 to 450mVDC(0 to 45°C) Measuring range : 100mV (at 0 to 19.99 μ g/l range) 200mV (at 0 to 199.9 μ g/l range) 300mV (at 0 to 1.999mg/l range) 400mV (at 0 to 19.99mg/l range)
Ambient condition	Temperature : 0 to 45°C, Humidity:0 to 85%RH
Power source	AC/DC AC line by adapter or 9VDC Alkaline dry battery R6, AA or UM-2:6 pcs.
Main unit size	Approx. 250(W) \times 160(H) \times 95(D)mm
Main unit weight	Approx. 2.1kgs

STANDARD ACCESSORIES

Flow cell(DO-F-30)	1pc.	Output cable(DO-350L)	1pc.
Low level DO electrode	1pc.	Carrying case(DO-C-350)	1pc.
Dry battery, Alkaline	6pcs.	Shoulder belt(DO-SB)	1pc.
AC adapter	1pc.		

Remark: Inlet/outlet of flow cell: 1/4" tube(O.D. : 6.35mm)

DISSOLVED OXYGEN ELECTRODES

Type	OE-5843 _{oz}	OE-5844 _{oz}
Application	General purpose	Atomic power plant relating
Wetted Materials	FEP, PP, Epoxy resin Silicon rubber	FEP, PP, Epoxy resin 316SUS Silicon rubber
Housing Material	PP	316SUS
Flow rate of sample	0.05 to 2 ℓ / min. (with flow cell)	
Remark	High response : about 15min. from saturation to 5 μ g/l Low residual current : less than 1 μ g/l Long life Span of electrolyte : about 6 months when using continuously with sample less than 10mg/l	



TOA Electronics Ltd.

HEAD OFFICE ADDRESS : 29-10, 1-CHOME, TAKADANOBABA, SHINJUKU-KU, TOKYO,
JAPAN 169 TEL. 03(3202)0225
TELEFAX: 81-3-3202-0555 or 0220